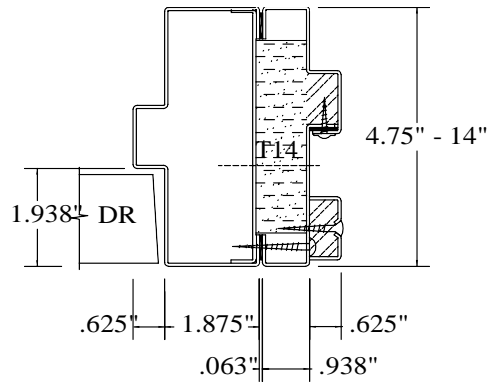
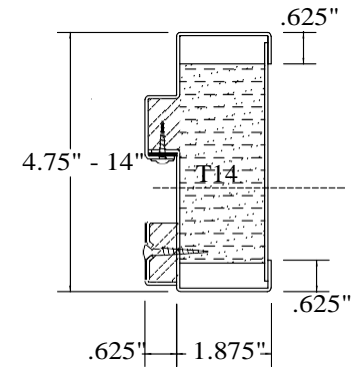


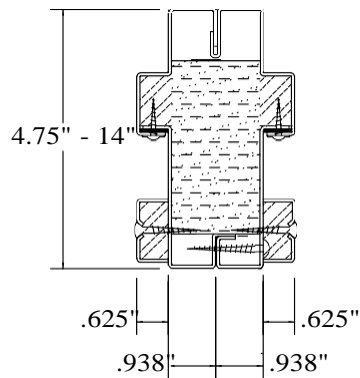
**Door / Frame**



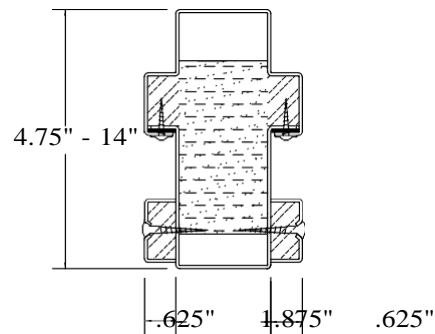
**Door / Sidelite**



**Jamb / Head**



**Modular Connection**

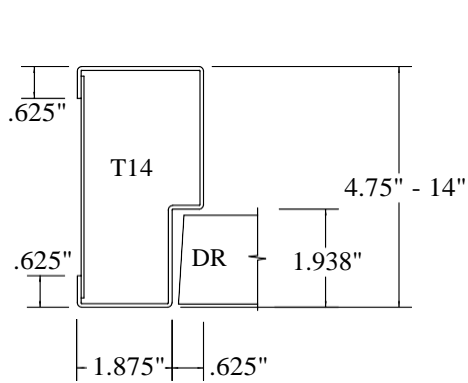


**Mullion**

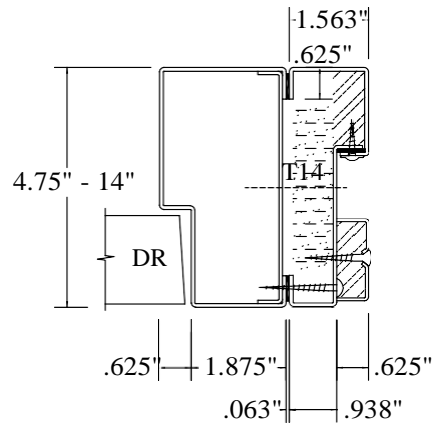


**STILE-LITE 100 - MODULAR 60MIN WALL ASSEMBLY**

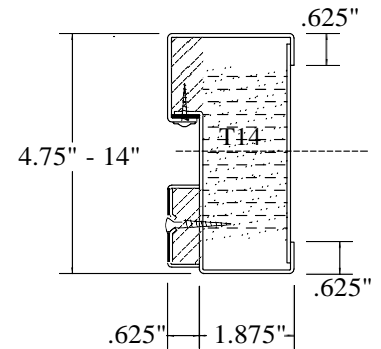
**Distributed by GGI**  
**General Glass International**  
**101 Venture Way Secaucus, NJ**



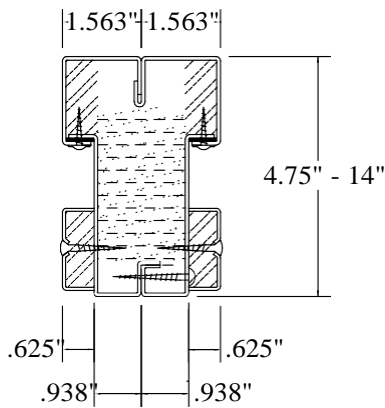
**Door / Frame**



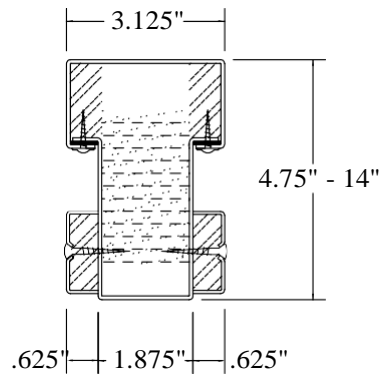
**Door / Sidelite**



**Jamb / Head**



**Modular Connection**

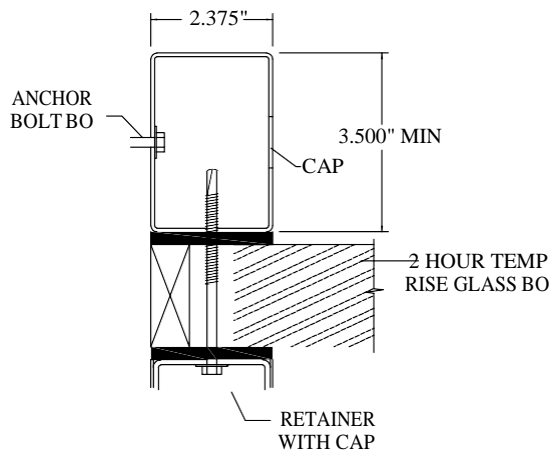


**Mullion**

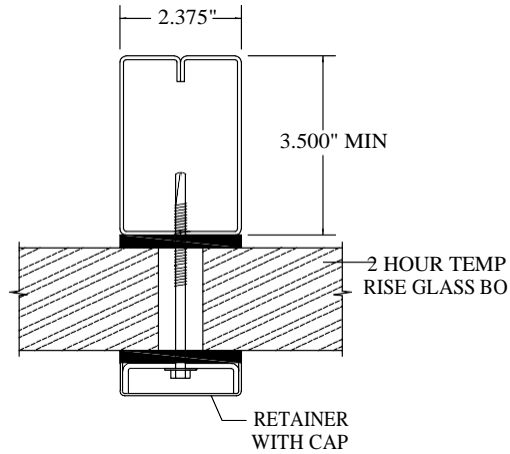


**STILE-LITE 200 - MODULAR 60MIN WALL ASSEMBLY**

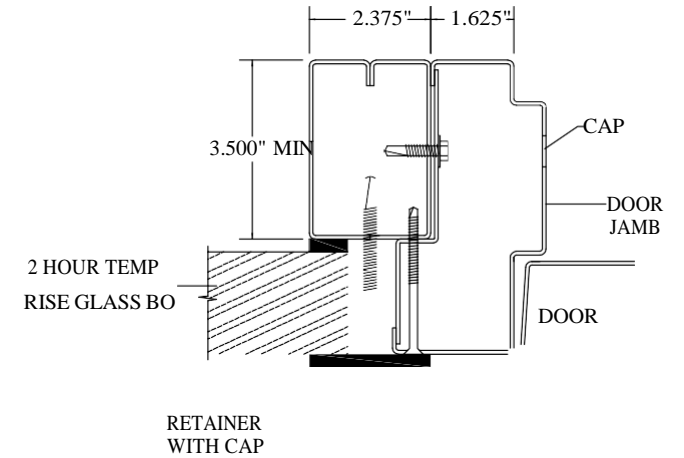
**DISTRIBUTED BY GGI**  
**GENERAL GLASS INTERNATIONAL**  
**101 VENTURE WAY, SECAUCUS, NJ**



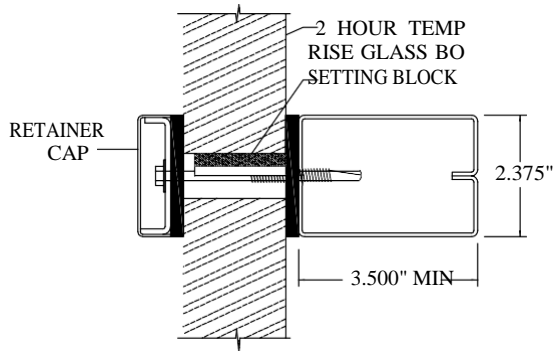
JAMB OR HEAD



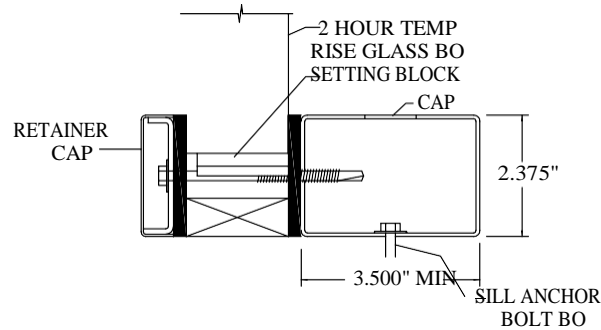
VERTICAL MULLION



DOOR JAMB CONNECTION



HORIZONTAL MULLION



SILL



**STILE-LITE 300 - MODULAR 120MIN WALL ASSEMBLY**

**DISTRIBUTED BY GGI**  
**GENERAL GLASS INTERNATIONAL**  
**101 VENTURE WAY, SECAUCUS, NJ**